

10.Maintenance and cleaning

It is absolutely essential that the fixture is kept clean and that dust, dirt and smoke-fluid residues must not build up on or within the fixture. Otherwise, the fixture's light-output will be significantly reduced. Regular cleaning will not only ensure the maximum light-output, but will also allow the fixture to function reliably throughout its life. A soft lint-free cloth moistened with any good glass cleaning fluid is recommended, under no circumstances should alcohol or solvents be used!

DANGER !
Disconnect from the mains before starting any
maintenance work

The front objective lens will require weekly cleaning as smoke-fluid tends to building up residues, reducing the light-output very quickly. The cooling-fans should be cleaned monthly.

The interior of the fixture should be cleaned at least annually using a vacuum-cleaner or an air-jet. Dichroic colour filters, CMY lamellas, gobo and graphic wheels and the internal lenses should be cleaned monthly. Remove dust and dirt from the fans and cooling vents using a soft brush and vacuum-cleaner.

Important! Check the air filters periodically and clean before they become clogged!

Clean two air filters placed in the fixture's covers and two in the fixture base. Use a vacuum cleaner, compressed air or you can wash them and put back dry.

After replacing the air filters, reset the elapsed time counter in the menu "Information" (Information--->Air Filters--->Elapsed Time).

Replacing the fuse. Before replacing the fuse, unplug mains lead.

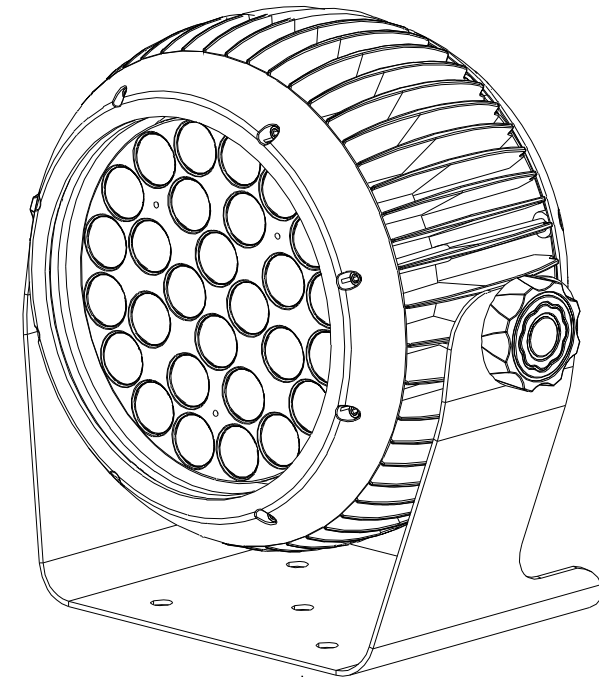
- 1) Remove the fuse holder on the rear panel of the base with a fitting screwdriver from the housing (anti-clockwise).
- 2) Remove the old fuse from the fuse holder.
- 3) Install the new fuse in the fuse holder (only the same type and rating).
- 4) Replace the fuseholder in the housing and fix it.

Wireless function

1. Choose the wireless DMX on the light display
"SET"→"Signal setting"→"Wireless DMX"(ULd showed on display)
2. Wireless transmitter transmits signal, press "UP" and "ENTER" button at the same time on the light display until you see the indicator flashing yellow
3. Pairing signal in transmitter, would see indicator flashing green on the light display
2. In the Use mode, Description of Status Indicator:

Protocol	Action	Status Description
W-DMXReceive Protocol	White	Connection is not Established
	Red	Deleting Connection
	Red(Fast-Flash)	Connection is Lost
	Green(Fast-Flash)	Connecting to Transmitter
	Green(Slow-Flash)	Connected, Without DMX Signal
	Green	Connected, Receiving DMX Signal

FOS IQ Par Zoom IP65



Version 1.0

USER MANUAL

- Be sure to read the USER MANUAL carefully before using this product.
- Be sure to keep the USER MANUAL properly for future needs.
- Use this product correctly when you can fully understand the User Manual

1.Safety instructions

Thank you for choosing our FOS IQ Par Zoom Ip65 FOR YOUR OWN SAFETY, PLEASE READ THIS USER MANUAL CAREFULLY

BEFORE YOU INITIAL START - UP!

CAUTION!
Be careful with your operations.
With a high voltage you can suffer a dangerous electric shock when touching the wires!

This device has left our premises in absolutely perfect condition. In order to maintain this condition and to ensure a safe operation, it is absolutely necessary for the user to follow the safety instructions and warning notes written in this manual.

CAUTION!
Keep this device away from rain and moisture!
Unplug mains lead before opening the housing!

Important:

The manufacturer will not accept liability for any resulting damages caused by the non-observance of this manual or any unauthorized modification to the device.

Please consider that damages caused by manual modifications to the device are not subject to warranty.

During the operation the housing becomes hot). Allow the fixture to cool approximately 20 minutes prior to manipulate with it.

Make sure that the available voltage is not higher than stated on the rear panel.

WARNING! This unit does not contain an ON/OFF switch. Always disconnect power input cable to completely remove power from unit when not in use or before cleaning or servicing the fixture.

Make sure that the power-cord is never crimped or damaged by sharp edges. Check the device and the power-cord from time to time.

Always disconnect from the mains, when the device is not in use or before cleaning it. Only handle the power-cord by the plug. Never pull out the plug by tugging the power cord.

This device falls under protection class I. Therefore it is essential to connect the yellow/green conductor to earth.

The electric connection, repairs and servicing must be carried out by a qualified employee.

Do not connect this device to a dimmer pack.

Do not switch the fixture on and off in short intervals as this would reduce the lamp's life.

During the initial start-up some smoke or smell may arise. This is a normal process and does not necessarily mean that the device is defective.

Do not touch the device's housing bare hands during its operation (housing becomes hot)!

For replacement use lamps and fuses of same type and rating only.

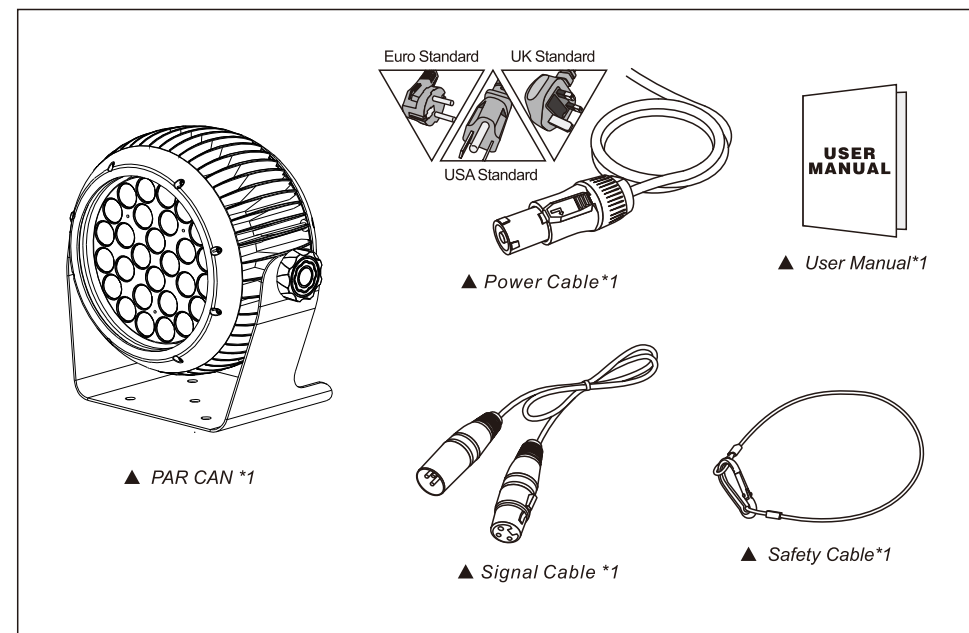
CAUTION ! EYE DAMAGES !
Avoid looking directly into the light source
(meant especially for epileptics) !

10	26		Macro RUN
		0..15	No function
		16..31	Macro Run 1
		32..47	Macro Run 2
		48..63	Macro Run 3
		64..79	Macro Run 4
		80..95	Macro Run 5
		96..111	Macro Run 6
		112..127	Macro Run 7
		128..143	Macro Run 8
		144..159	Macro Sound 1
		160..175	Macro Sound 2
		176..191	Macro Sound 3
		192..207	Macro Sound 4
		208..223	Macro Sound 5
224..239	Macro Sound 6		
240..255	Macro Sound 7		
11	27		Macro Speed
		0..255	Macro Speed from Slow To Fast
12	28		Dynamic Rotate
		0..15	No function
		16..31	Dynamic Rotate 1
		32..47	Dynamic Rotate 2
		48..63	Dynamic Rotate 3
		64..79	Dynamic Rotate 4
		80..95	Dynamic Rotate 5
		96..111	Dynamic Rotate 6
		112..127	Dynamic Rotate 7
		128..143	Dynamic Rotate 8
		144..159	Dynamic Rotate 9
		160..175	Dynamic Rotate 10
		176..191	Dynamic Rotate 11
		192..207	Dynamic Rotate 12
		208..223	Dynamic Rotate 13
224..239	Dynamic Rotate 14		
240..255	Dynamic Rotate 15		
13	29		Dynamic Rotate Speed
		0..255	from Slow To Fast

19	0..255	White3	
		White in pixel 3 saturation control(0 -100%)	
20	0..255	Red4	
		Red in pixel 4 saturation control (0-100%)	
21	0..255	Green4	
		Green in pixel 4 saturation control(0 -100%)	
22	0..255	Blue4	
		Blue in pixel 4 saturation control (0-100%)	
23	0..255	White4	
		White in pixel 4 saturation control(0 -100%)	
8	24	Macro Color	
		No Function	
		0..15	Red
		16..31	Green
		32..47	Blue
		48..63	White
		64..79	Red+Green
		80..95	Red+Blue
		96..111	Red+White
		112..127	Green+Blue
		128..143	Green+White
		144..159	Blue+Wtite
		160..175	R+G+B
		176..191	R+G+B+W
		192..207	2700K
		208..212	3200K
		213..217	3500K
		218..222	5000K
		223..227	5500K
		228..232	6000K
233..237	6500K		
238..242	7000K		
243..247	8000K		
9	25	Color Temp	
		No Function	
		0..15	Below3200K
		16..45	3200K- 3500K
		46..75	3500K- 5000K
		76..105	5000K- 5500K
		106..135	5500K- 6000K
		136..165	6000K- 6500K
		166..195	6500K- 7000K
		196..225	7000K- 8000K
226..255			

2.UNPACKING

FOS IQ Par Zoom Ip65 adopts a 10W white LED lamp which features high brightness and stability. Please carefully unpack it when you receive the fixture and check whether it is damaged during the transportation. And please check whether the following items are included inside the box:



FOS IQ Par Zoom Ip65 made of a new type of high temperature strength of engineering plastics and cast aluminum casing with nice outlook . The fixture is designed and manufactured strictly following CE standards, complying with international standard DMX512 protocol. It's available independently controlled and linkable with each other for operation. And it is applicable for large-scale live performances, theater, studio, nightclubs and discos.

This manual covers the important information on installation and applications. Meanwhile, please keep this manual well for future needs.

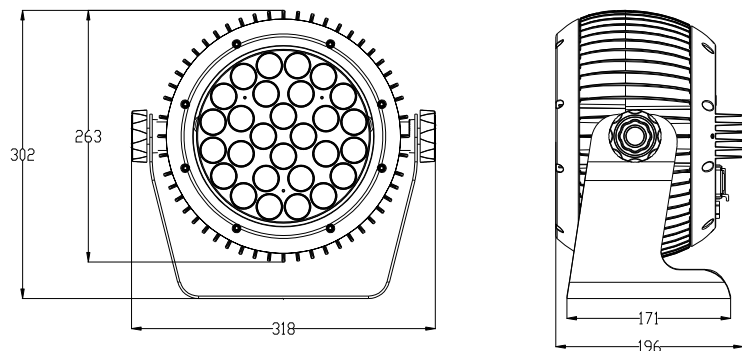
3. TECHNICAL INFORMATION

SPECIFICATIONS

- Powered by 28×10W RGBW LED
- Input Voltage: AC90-260V 50-60Hz
- Power Consumption: 250W
- Control Signal: DMX512, master-slave and sound activated
- Control Channel: 13/29 DMX Channels USITT DMX-512
- Dimensions: 318*263*196mm
- Packing Dimensions: 370*220*335mm
- Net Weight: 7.2kgs
- Gross Weight: 8.08kgs

FEATURES:

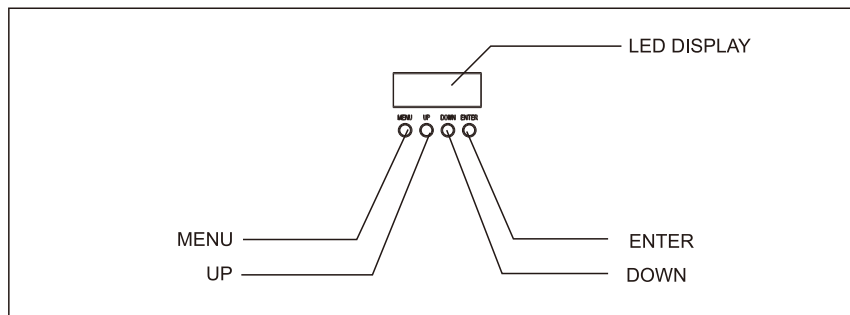
- 50,000 hours life span and low power consumption
- Aluminium die-casting structure design
- Four group zone control individually
- CTB and CTO, linear colour temperature 2800K-8000K changable
- 16.7million additive RGBW colors with full saturation control
- Built-in programs that could be called up via a DMX controller
- 25t/s strobe effect and pulse strobe effect
- 0-100% electronic dimming
- 4-button LED display on rear panel
- Dual bracket system available for setting the fixture on the ground or hanging
- POWERCON connector IN/OUT
- 3-Pin XLR connectors IN/OUT
- Overheat protection
- -35 ° C ~ 45 ° C max ambient temperature
- 12-60° Smooth electronic linear zoom
- IP65 protection



9. DMX PROTOCOL

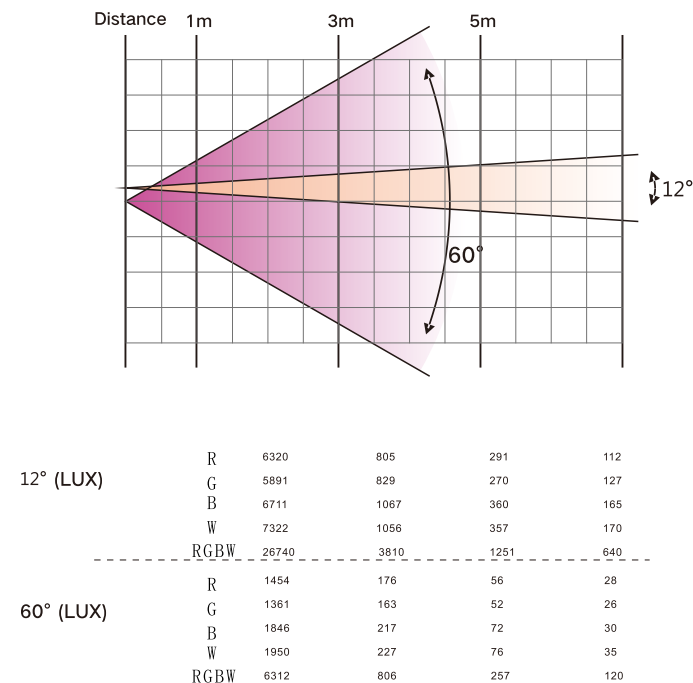
Mode/Channel		Value	Function
CH13	CH29		
1	1		Dimmer
		0..255	Dimmer0%...100%
2	2		Shutter
		0..31	Shutter closed
		32..63	shutter open
		64..95	Strobe effect slow to fast
		96..127	shutter open
		128..159	Pulse-effect in sequences slow to fast
		160..191	shutter open
		192..223	Random strobe effect slow to fast
224..255	shutter open		
3	3		Red
		0..255	0-100% Red dimmer from dark to bright
4	4		Green
		0..255	0-100% Greendimmer from dark to bright
5	5		Blue
		0..255	0-100% Blue dimmer from dark to bright
6	6		White
		0..255	0-100% White dimmer from dark to bright
7	7		Focus
		0..255	In(near) to out(far)
8	8		Red1
		0..255	Red in pixel1 saturation control(0-100%)
9	9		Green1
		0..255	Green in pixel1 saturation control(0-100%)
10	10		Blue1
		0..255	Blue in pixel1 saturation control(0-100%)
11	11		White1
		0..255	White in pixel1 saturation control(0-100%)
12	12		Red2
		0..255	Red in pixel2 saturation control(0-100%)
13	13		Green2
		0..255	Green in pixel2 saturation control(0-100%)
14	14		Blue2
		0..255	Blue in pixel2 saturation control(0-100%)
15	15		White2
		0..255	White in pixel2 saturation control(0-100%)
16	16		Red3
		0..255	Red in pixel3 saturation control(0-100%)
17	17		Green3
		0..255	Green in pixel3 saturation control(0-100%)
18	18		Blue3
		0..255	Blue in pixel3 saturation control(0-100%)

8.MENU OPERATIONS



MODE	ADDR	VALU	A001AXXX (AXXX)	DMX Address	VALU	
		SLAV		Slave mode	SLAV	
AUTO	IP1~8	ALON/(AU-A)		SP_1~SP_5 (Speed)	Auto alone	
		MAST/(AU-M)		SP_1~SP_5 (Speed)	Auto master	
	SOUN	IP1~7	ALON (SO-A)			Sound alone
			MAST (SO-M)			Sound master
SET	MIC	M-XX			Mic sensitivity	
	LOAD	ON/OFF			Reload data	
	VER	V-2.0			Software version	
	CALI	Code (088)				Input password to calibration
		CH03-CH09				Calibration channel
	SSET	WD				Wire DMX input
		WLD				Wireless DMXinput
WLDO				Wireless DMX input to wire DMX output		
DMX	CH13				13CH	
	CH29				29CH	
REST	ON/OFF				Totalreset	
MANU	STRO	C000-C255			Manual control Strobe	
	DIMM	C000-C255			Manual control Dimmer	
	R	C000-C255			Manual control R	
	G	C000-C255			Manual control G	
	B	C000-C255			Manual control B	
	W	C000-C255			Manual control W	
	FOCU	C000-C255			Manual control Focus	
TEMP	TXXX				Temperature	

4.PHOTOMETRICS DIAGRAM



5.OPERATION INSTRUCTIONS

- FOS IQ Par Zoom Ip65 is for wash effect for on-site decoration purpose.
- Don't turn on the fixture if it's been through severe temperature difference like after transportation because it might damage the light due to the environment changes. So make sure to operate the fixture until it is in normal temperature.
- This light should be keep away from strong shaking during any transportation or movement.
- Don't pull up the light by only the head, or it might cause damages to the mechanical parts.
- Don't expose the fixture in overheat, moisture or environment with too much dust when installing it. And don't lay any power cables on the floor. Or it might cause electronic shock to the people.
- Make sure the installation place is in good safety condition before installing the fixture.
- Make sure to put the safety chain and check whether the screws are screwed properly when installing the fixture.
- Make sure the lens are in good condition.It's recommended to replace the units if there are any damages or severe scratch.
- Make sure the fixture is operated by qualified personnel who knows the fixture before using.
- Keep the original packages if any second shipment is needed.
- Don't try to change the fixtures without any instruction by the manufacturer or the appointed repairing agencies.
- It is not in warranty range if there are any malfunctions from not following the user manual to operate or any illegal operation, like shock short circuit, electronic shock , lamp broke, etc.

6.INSTALLATIONS

Cautions:

For added protection mount the fixtures in areas outside walking paths, seating areas, or in areas where the fixture might be reached by unauthorized personnel.

Before mounting the fixture to any surface, make sure that the installation area can hold a minimum point load of 10 times the device's weight.

Fixture installation must always be secured with a secondary safety attachment, such as an appropriate safety cable.

Never stand directly below the device when mounting, removing, or servicing the fixture.

from a ceiling, or set on a flat level surface (see illustration below). Be sure this fixture is kept at least 0.5m (1.5 f t) away from any flammable materials (decoration etc.).

Always use and install the supplied safety cable as a safety measure to prevent accidental damage and/or injury in the event the clamp fails.

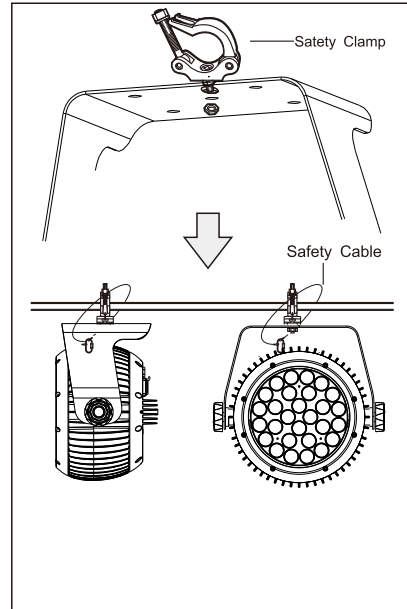
Mounting points:

Overhead mounting requires extensive experience, including amongst others calculating working load limits, a fine knowledge of the installation material being used, and periodic safety inspection of all installation material and the fixture. If you lack these qualifications, do not attempt the installation yourself. Improper installation can result in bodily injury.

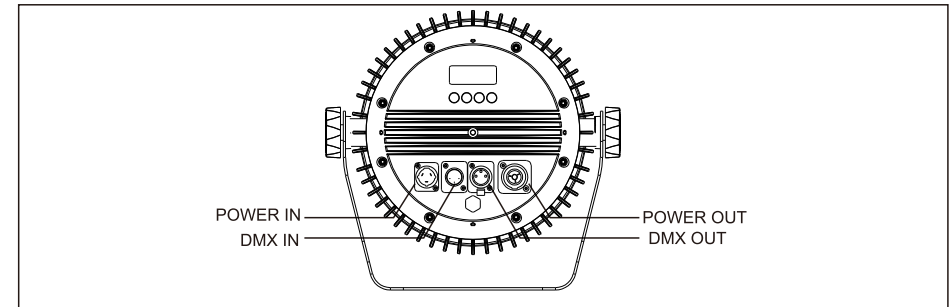
Be sure to complete all rigging and installation procedures before connecting the main power cord to the appropriate wall outlet.

Clamp Mounting:

The FOS IQ Par Zoom Ip65 provides a unique mounting bracket assembly that integrates the bottom of the base, and the safety cable rigging point in one unit (see the illustration below). When mounting this fixture to truss be sure to secure an appropriately rated clamp to the included omega bracket using a M10 screw fitted through the center hole of the handle. As an added safety measure be sure to attached at least one properly rated safety cable to the fixture using on of the safety cable rigging point integrated in the base assembly .



7.CONTROL CONNECTION



Connect the provided XLR cable to the female 3-pin XLR output of your controller and the other side to the male 3-pin XLR input of the moving head. You can chain multiple Moving head together through serial linking. The cable needed should be two core, screened cable with XLR input and output connectors. Please refer to the diagram below. DMX-512 connection with DMX terminator.

For installations where the DMX cable has to run a long distance or is in an electrically noisy environment, such as in a discotheque, it is recommended to use a DMX terminator. This helps in preventing corruption of the digital control signal by electrical noise. The DMX terminator is simply an XLR plug with a 3 resistor connected between pins 2 and 3, which is then plugged into the output XLR socket of the last fixture in the chain. Please see illustrations below.

